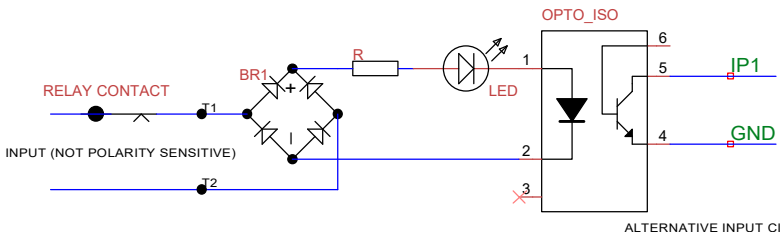
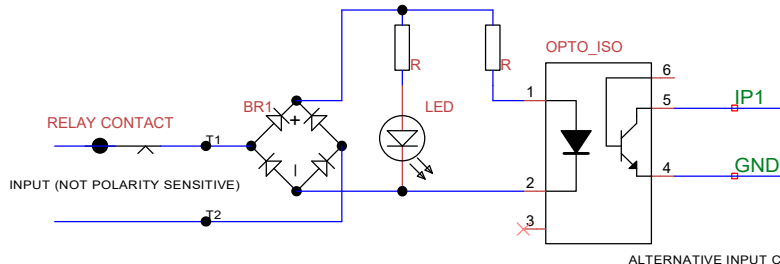


**NOTES**  
 ISOLATED INPUT CIRCUIT  
 EXTERNAL POWER SUPPLY REQUIRED  
 RESISTOR VALUE AND WATTAGE DETERMINED BY INPUT VOLTAGE  
 INPUT INDICATION LED - ILLUMINATES WHEN OPTO IS ACTIVE  
 ZENAMIC CAN BE ADDED ACROSS T1 & T2 FOR GREATER PROTECTION

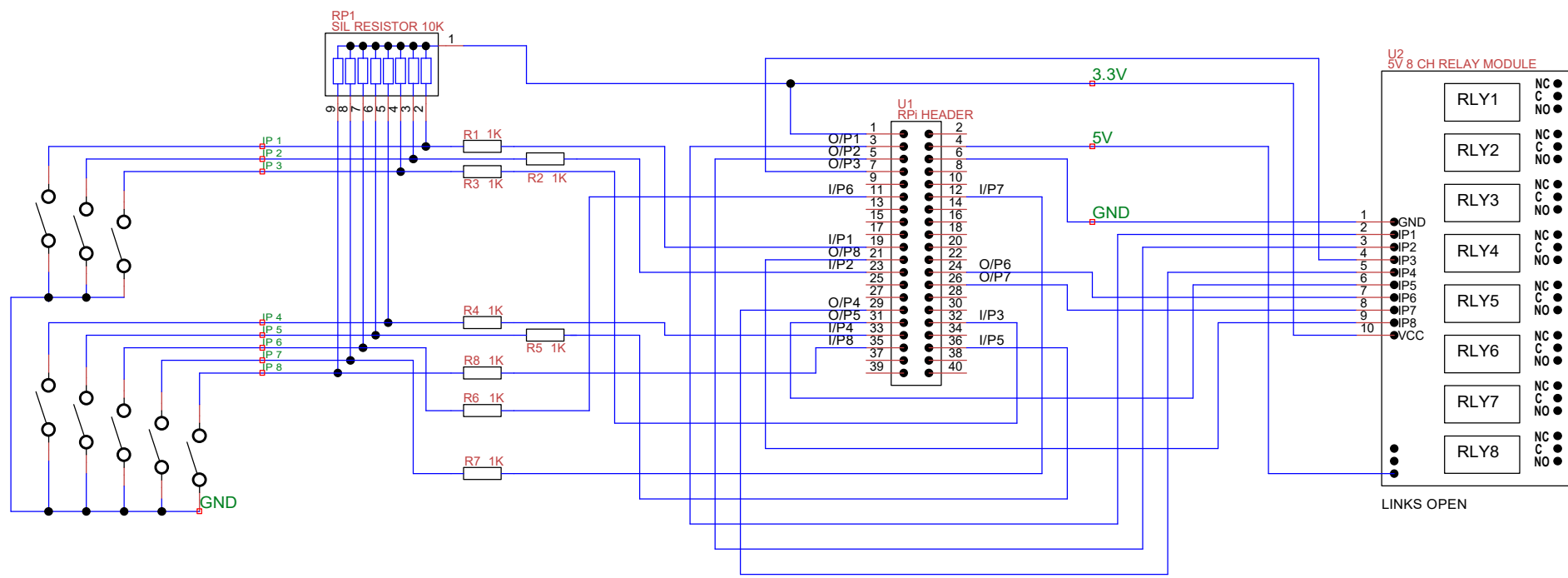


ALTERNATIVE INPUT CIRCUIT

**NOTES**  
 ISOLATED INPUT CIRCUIT  
 EXTERNAL POWER SUPPLY REQUIRED  
 RESISTOR VALUES AND WATTAGE DETERMINED BY INPUT VOLTAGE  
 INPUT INDICATION LED - ILLUMINATES EVEN IF OPTO FAILS  
 ZENAMIC CAN BE ADDED ACROSS T1 & T2 FOR GREATER PROTECTION



ALTERNATIVE INPUT CIRCUIT



LINKS OPEN

Title RPi TDM (same circuit for both Office & Field)		
Author D. Walker		
File fiona\Documents\TinyCAD\Designs\RPi TDM.dsn	Document	
Revision 1.0	Date 27/01/16	Sheets 1 of 1